



DAYTON PROGRESS

Guide Products



Demountable Pillars, Bushes and
Ball cages for
Press and Mould dies

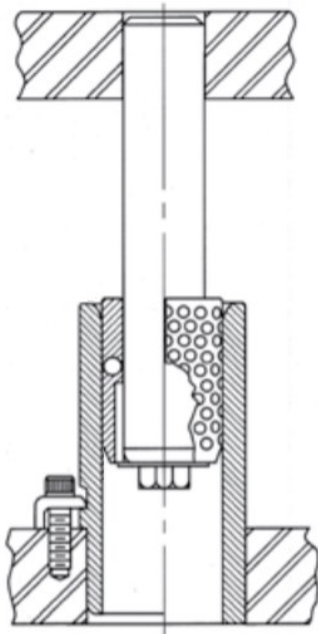


a MISUMI Group Company

Press die components
by DAYTON PROGRESS

Dayton Progress are now offering Guide posts, bushings and ball-bearing retainers in a wide range of commonly used sizes.

They are precisely ground and thoroughly checked to offer complete interchangeability and high quality



- Press Fit / Demountable Guide posts
- Press Fit / Demountable Plain Bushings
- Press Fit / Demountable Ball Bearing Bushings
- Ball Bearing cages
- Various material options
- Competitive pricing

Call or Email us or contact your Dayton Progress regional Sales Engineer for further information.



DAYTON PROGRESS

a MISUMI Group Company



DAYTON PROGRESS Limited
 Holly Farm House
 Holly Farm Business Park
 Honiley | Kenilworth
 Tel. +44 (0)1926 484 192
 Info@daytonprogress.co.uk

www.daytonprogress.co.uk
www.misumi-europe.com/uk