



## CyTec Systems UK Limited look forward to working with the team at i-mold as UK distributors for their Servomold product line

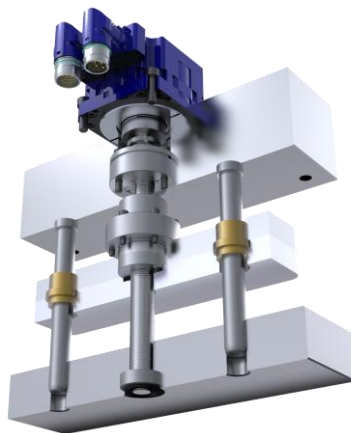
CyTec Systems, are a leading supplier of hydraulic cylinders to the injection moulding industry supplying locking cylinders from CyTec Systems and standard cylinders from AHP Merkle.

With the introduction of all electric machines we are now able to offer an alternative solution to complement our hydraulic cylinder range.

**Servomold** are the leading supplier of system solutions for the realisation of servo-electric rotary and linear movements in injection mould tools.

### The powerful alternative to hydraulic cylinders

From single threads in technical plastic parts, to linear and core puller movements and high-cavity cap moulds, Servomold have the innovative servo-electric alternative for every injection mould.



For further help and advice, speak with one of our engineers today:

**Cytec Systems UK**

0161 678 7090

[sales@cytec-uk.com](mailto:sales@cytec-uk.com)

[www.cytecsystems-uk.com](http://www.cytecsystems-uk.com)

